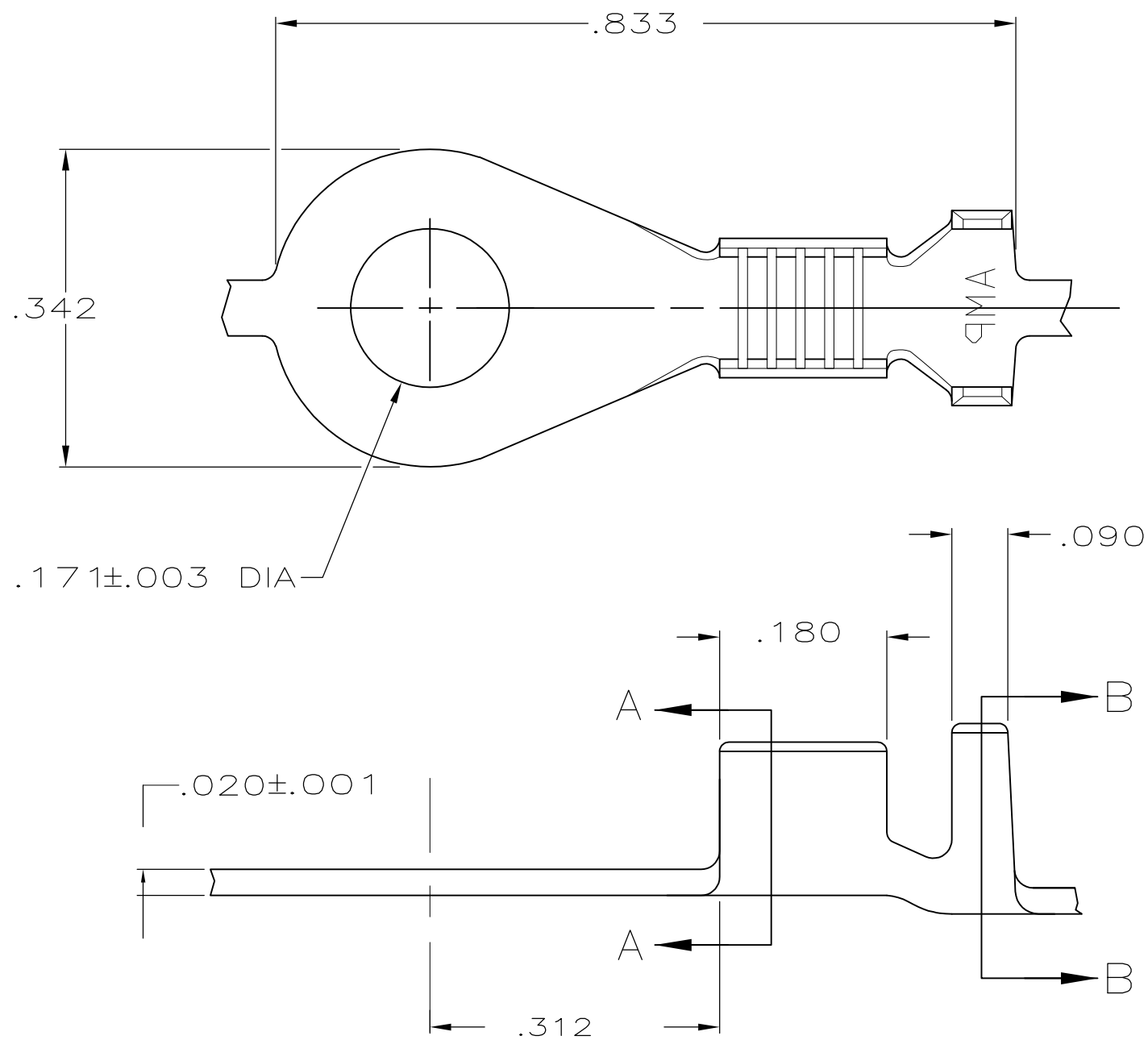
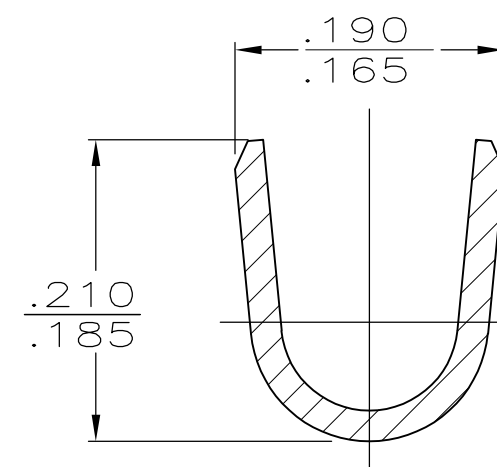
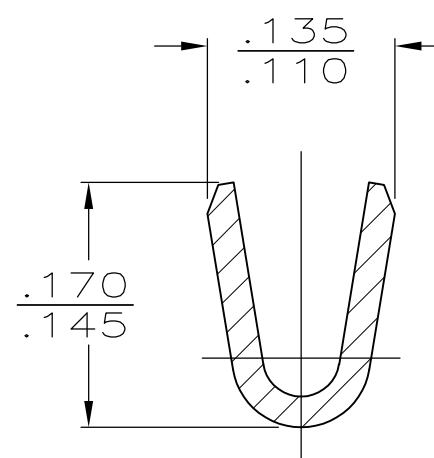


THIS DRAWING IS UNPUBLISHED. RELEASED FOR PUBLICATION  
 © COPYRIGHT - By TYCO ELECTRONICS CORPORATION. ALL RIGHTS RESERVED.

LOC	DIST	REVISIONS			
P	LTR	DESCRIPTION	DATE	DWN	APVD
AF	50	K	REVISE PER ECR-13-013738	15FEB2014	GRZ JL



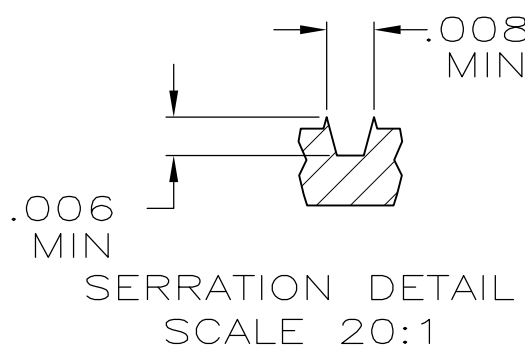
△ 1 TIN PL .000200 MIN PER MIL-T-10727 OVER  
 COPPER PL .000100 MIN PER MIL-C-14550



SECTION A-A  
SCALE 8:1

SECTION B-B  
SCALE 8:1

OBSOLETE	△ 1	FINISH	INSULATION RANGE	MAGNET WIRE SIZE	PART NO
		TIN PL	.100-.140	18-14	60320-3
			.100-.140	18-14	60320-2
			.100-.140	18-14	60320-1



THIS DRAWING IS A CONTROLLED DOCUMENT.		DWN P FORTNEY 6/4/87	TE Connectivity NAME: RING,AMPLIVAR					
DIMENSIONS: INCHES		CHK G YETTER 1/6/88				SIZE	CAGE CODE	DRAWING NO
TOLERANCES UNLESS OTHERWISE SPECIFIED:		APVD RP FRANTZ 1/7/88				A3	00779	C-60320
0 PLC ± - 1 PLC ± - 2 PLC ± - 3 PLC ± .015 4 PLC ± - ANGLES ± -		PRODUCT SPEC TL SHUTTER 1/12/88				RESTRICTED TO	-	
MATERIAL BRASS		FINISH SEE TABLE	CUSTOMER DRAWING					
			SCALE	SHEET	REV			
			6:1	1 OF 1	K			